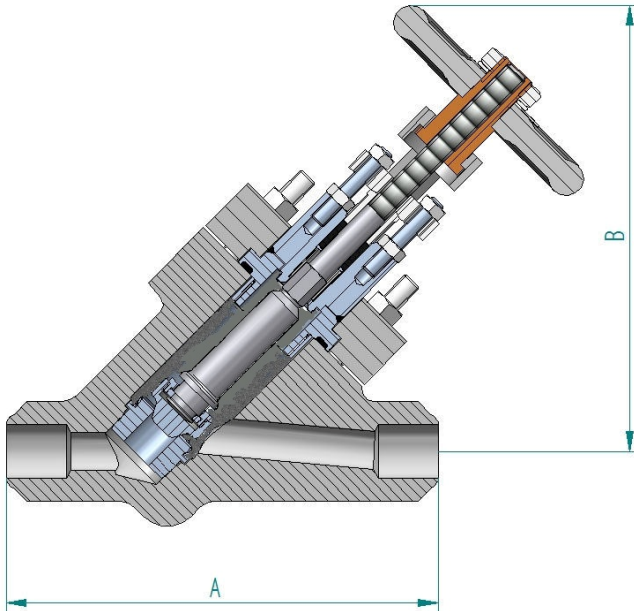


Series 50B Bolted Bonnet Valve - Oblique Pattern



Class 600/900/1500 gland sealed globe valve, standard bore, outside screw and yoke, non-rising handwheel, bolted bonnet. To BSEN15761 or nuclear class to ASME III available.

Valve can be supplied with actuation - electric or pneumatic plus controls. Extended spindles also available.

Butt weld end connections shown, also available as screwed, socket weld, flanged or special connection or manifold blocks.

Cartridge valve, version also available - seat and all seals are removed with the top assembly. This leaves only the body left in line. Maintenance time reduced significantly. Increases safety, no danger of seals being lost down line or seat not being fitted.

Maximum pressure / temperature ratings are restricted by the valve end connections and the body / bonnet materials..
Materials can be changed to customer specifications.

Dimensions				
Size DN	Dim A mm	Dim B mm	Weight Kg	Cv UKGPM
6	229	242	13	2
15	229	242	13	5.8
20	229	245	13	5.8
25	254	260	15.5	11
40	305	350	35	30
50	368	420	40	54
80	381	540	250	153
100	457	562	295	267
150	610	820	320	690



Materials	
Component	Material
Body	St.St. BSEN 10222-5 x2 CrNi 18-9 (1.4307) / ASME SA182 F304L
Bonnet	St.St. BSEN 10222-5 x2 CrNi 18-9 (1.4307) / ASME SA182 F304L
Seat	St.St. BSEN 10088-3 1.4307 / ASME SA479 304L / HF
Seat Seal	Stainless steel / Graphite
Disk	St.St. BSEN 10088-3 1.4307 / ASME SA479 304L / HF
Stem	St.St. BSEN 10088-3 1.4307 / ASME SA479 304L
Back up Gland	Graphite