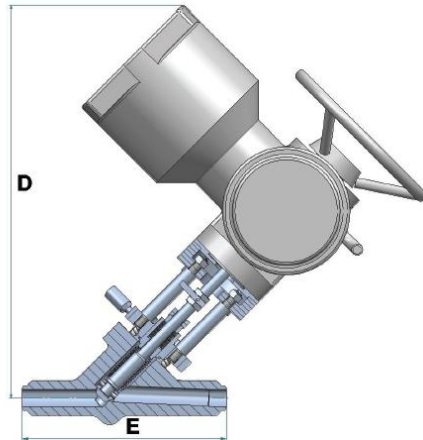
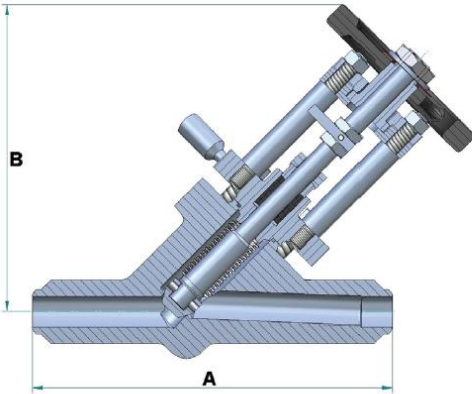


Series 36B Bolted/Edge Welded Bonnet Valve - Oblique Pattern



Class 900/1500 bellows sealed globe valve, standard bore, outside screw and yoke, bolted and lip-seal welded bonnet. ASME III option available. Secondary gland in the event of bellows failure. Available with integral hard faced seat to offer increased resistance against erosion. Valve can be supplied with manual operation or actuated - electric or pneumatic. Manual valve and electrically actuated valve shown.



Size DN	Class 900							Cv UKGPM
	Manually Operated			Electrically Operated				
	Dim A mm	Dim B mm	Weight Kg	Dim D mm	Dim E mm	Weight Kg		
6	288	245	13.8	551	288	Please ask for details	7	
15	288	245	13.8	551	288		7	
20	288	245	13.8	551	288		12.9	
25	288	245	13.8	551	288		20.8	
40	323	293	24.1	585	323		39	
50	407	311	46.8	605	407		92	
65	407	311	46.8	605	407		125	
80	437	420	97.7	742	437		213	
100	427	443	183	775	427		260	

Size DN	Class 1500							Cv UKGPM
	Manually Operated			Electrically Operated				
	Dim A mm	Dim B mm	Weight Kg	Dim D mm	Dim E mm	Weight Kg		
6	323	305	17.2	TBA	323	Please ask for details	7	
15	323	305	17.2	TBA	323		7	
20	323	305	18.6	TBA	323		12.9	
25	407	311	19.5	TBA	407		20.8	
40	407	345	28.1	TBA	407		39	
50	437	371	76.2	TBA	437		92	
65	437	400	80.3	TBA	437		125	
80	508	508	137	TBA	508		213	
100	508	577	231	TBA	508		260	

Component	Material	
	316 Stainless Steel	304 Stainless Steel
Body	St.St. ASME SA182 F316	St.St. ASME SA182 F304
Bonnet	St.St. ASME SA182 F316	St.St. ASME SA182 F304
Seat	St.St. ASME SA479 316 or integral Stellite hard faced	St.St. ASME SA479 304 or integral Stellite hard faced
Disk	St.St. ASME SA479 316 or St.St. Type 316 hard faced	St.St. ASME SA479 304 or St.St. Type 304 hard faced
Stem	St.St. ASME SA479 316	St.St. ASME SA479 304
Bellows	St.St. Type 316/316L	St.St. Type 316/316L
Back up Gland	Exfoliated graphite	Exfoliated graphite
Yoke Bush	Aluminium bronze	Aluminium bronze

Valve shown is with a leak detection port, to provide early warning of any bellows failure. Extended spindles, type and length are designed to suit customer requirements. Weights shown are without extended spindle. Pneumatically actuated valves are available.