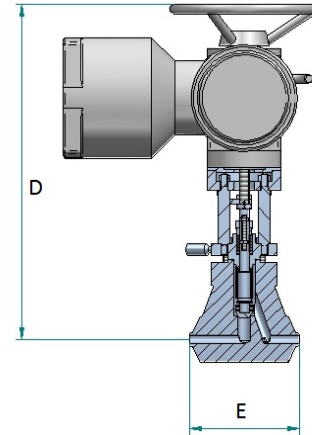
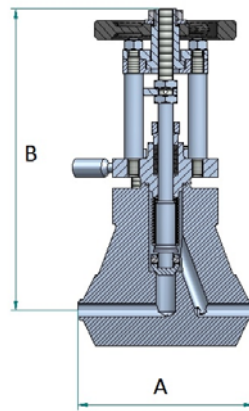


## Series 36A Bolted/Edge Welded Bonnet Valve - Straight Pattern



Class 900/1500 bellows sealed globe valve, standard bore, outside screw and yoke, bolted and lip-seal welded bonnet. ASME III option available. Secondary gland in the event of bellows failure. Available with integral hard faced seat to offer increased resistance against erosion. Valve can be supplied with manual operation or actuated - electric or pneumatic. Manual valve and electrically actuated valve shown.



Class 900							
Manually Operated				Electrically Operated			
Size DN	Dim A mm	Dim B mm	Weight Kg	Dim D mm	Dim E mm	Weight Kg	Cv UKGPM
6	216	320	13.8	520	216	Please ask for details	1.0
15	216	320	13.8	520	216		1.8
20	229	320	13.8	520	229		4.0
25	254	320	13.8	520	254		6.9
40	305	382	24.1	570	305		17.4
50	368	406	46.8	595	368		31.0
65	419	406	46.8	595	419		46.0
80	381	548	97.7	730	381		70.0
100	457	579	183	755	457		128.0

Component	Material	
	316 Stainless Steel	304 Stainless Steel
Body	St.St. ASME SA182 F316	St.St. ASME SA182 F304
Bonnet	St.St. ASME SA182 F316	St.St. ASME SA182 F304
Seat	St.St. ASME SA479 316 or integral Stellite hard faced	St.St. ASME SA479 304 or integral Stellite hard faced
Disk	St.St. ASME SA479 316 or St.St. Type 316 hard faced	St.St. ASME SA479 304 or St.St. Type 304 hard faced
Stem	St.St. ASME SA479 316	St.St. ASME SA479 304
Bellows	St.St. Type 316/316L	St.St. Type 316/316L
Back up Gland	Exfoliated graphite	Exfoliated graphite
Yoke Bush	Aluminium bronze	Aluminium bronze

Class 1500							
Manually Operated				Electrically Operated			
Size DN	Dim A mm	Dim B mm	Weight Kg	Dim D mm	Dim E mm	Weight Kg	Cv UKGPM
6	216	305	17.2	TBA	216	Please ask for details	1.0
15	216	305	17.2	TBA	216		1.6
20	229	305	18.6	TBA	229		2.9
25	254	311	19.5	TBA	254		5.0
40	305	345	28.1	TBA	305		14.5
50	368	371	76.2	TBA	368		23.0
65	419	400	80.3	TBA	419		37.0
80	381	508	137	TBA	381		62.0
100	457	577	231	TBA	457		113.0

Valve shown is with a leak detection port, to provide early warning of any bellows failure. Extended spindles, type and length are designed to suit customer requirements. Weights shown are without extended spindle. Pneumatically actuated valves are available.