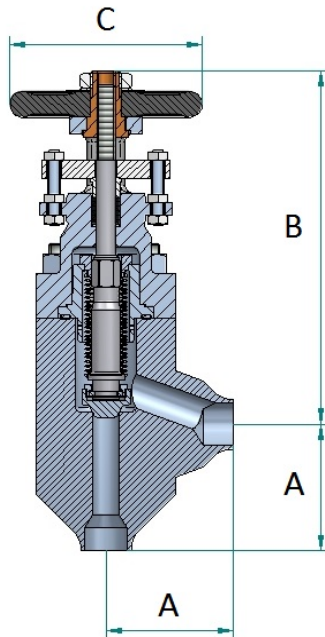


Series 34C Bolted Bonnet Valve - Angle Pattern



Class 800/900/1500 bellows sealed globe valve to BS5352, standard bore, outside screw and yoke, non-rising handwheel, bolted bonnet. Available with integral hard faced seat or screwed in stainless steel seat. Valve can be supplied with actuator - electric or pneumatic. Butt weld end connections shown, also available as screwed, socket weld, flanged or special connection.

Nuclear versions to ASME III available.

Maximum pressure / temperature ratings are restricted by the valve end connections and the body / bonnet materials.

Materials can be changed to customer specifications. There are temperature restrictions on some materials, ie. C.St. ASTM A105 is not recommended for use above 425 °C.

If in doubt please ask, we will advise suitable materials for the temperature, pressure and media.

Dimensions (typical)										
	Class 800					Class 900/1500				
Valve Size DN	Dim A mm	Dim B mm	Dim C mm	Weight Kg	Cv UK Gal/min	Dim A mm	Dim B mm	Dim C mm	Weight Kg	Cv UK Gal/min
DN6	57	241	100	9	2.7	108	321	150	12	2.7
DN15	57	241	100	9	3.9	108	321	150	12	3.9
DN20	64	241	100	9	3.9	114	321	150	12	3.9
DN25	70	254	100	9.6	9.2	127	384	150	15	9.2
DN40	83	368	150	24	19.8	152	458	200	30	19.8
DN50	102	400	150	25	29.6	184	530	290	35	29.6

Component	Material	
	Carbon Steel Valve	Stainless Steel Valve
Body	C.St. ASTM A105	St.St. Type 316L
Bonnet	C.St. ASTM A105	St.St. Type 316L
Seat	St.St. Type 410 or integral Stellite HF	St.St. Type 410 or integral Stellite HF
Disk	St.St. Type 410 or Stellite HF	St.St. Type 410 or Stellite HF
Stem	St.St. Type 316L	St.St. Type 316L
Bellows	St.St. Type 316L	St.St. Type 316L
Back up Gland	Exfoliated graphite	Exfoliated graphite
Yoke Bush	Aluminium bronze	Aluminium bronze

